

**5**  
YEARS  
PEACE OF  
MIND

Details Inside



***SYNERGY PERSPECTIVE***  
**BALANCED FLUE RANGE**



# Synergy Perspective Balanced Flue Range

The Synergy Perspective Balanced Flue range of fires is built around a highly efficient glass fronted convector, featuring a very realistic flame pattern and a superb heat output. With clean lines and a choice of outstanding hand finished interior linings and log colours, the Synergy is a timeless design that will enhance any home.

The Synergy Perspective Steel Balanced Flue features a steel door which is available in a choice of 5 gorgeous finishes, including Lacquered Brushed Stainless. These eye-catching finishes are applied using the latest techniques, resulting in beautiful deep colours that are both practical and durable.

The Synergy Perspective Glass Balanced Flue features a stunning glass door, that is mounted in front of the glass fronted convector. With our unique patented method of holding the glass door we have been able to achieve an ultra-sleek and very modern look.

The Synergy Balanced Flue variants are available in versions that can be installed as a Hole in The Wall feature, where space might be at a premium, or into a suitable fireplace. Your Nu-Flame stockist will be able to advise you on the numerous options.



British Made



Nu-Flame would like to thank Glasswells (World of Furniture) 01473 622422 [www.glasswells.co.uk](http://www.glasswells.co.uk) for the loan of their furniture used in this brochure.

## Quality Assured!



Nu-Flame's reputation has been built on a solid foundation of engineering excellence and attention to detail in both design and manufacturing. The build quality of the Synergy Balanced Flue Range is second to none and every component from the fuel bed to the control system is of the highest standard. Designed, Engineered and Built in Britain, every Nu-Flame fire is manufactured to strict and ISO 9001 quality standards.

Nu-Flame is an award winning company.



**Nu-Flame fires come with a 5 year peace of mind option... ask your stockist for details.**

For a reasonable one off payment, the warranty on your Nu-Flame fire can be extended to 5 years. Your stockist can advise you of the current rates.

**Q.** Why is the Nu-Flame extended warranty option better than other manufacturers' long term guarantees?

**A.** Because our offer represents much better value, without hidden terms and conditions that are likely to void your warranty after the first year, or, if followed, can cost you considerably more than the purchase price of the fire.

*In some installations it is possible to fit a television above the Synergy Perspective Balanced Flue. Please ask your stockist, or refer to the instructions section of our website, for the data sheet detailing the requirements.*

# Synergy Perspective Glass Balanced Flue

The Synergy Perspective Glass Balanced Flue can be installed as a Hole in the Wall feature, or within a fireplace. The black all glass door is complemented by a choice of interior linings and options on the log effect.

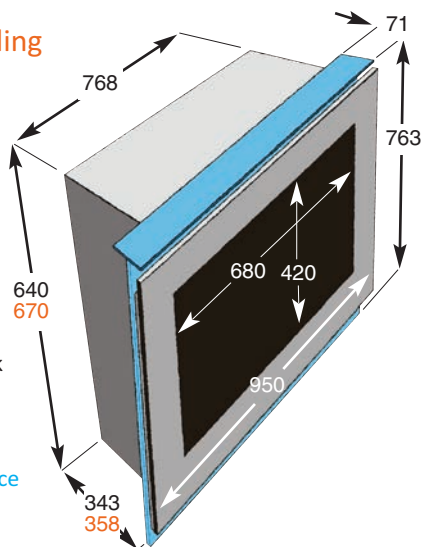


Synergy Perspective Glass Balance Flue with Black Outer Frame, Reeded Black lining and Dark Log fuel effect.




Synergy Perspective Glass Balanced Flue with Brick lining and Dark Log fuel effect shown in Nu-Flame's Limestone Synergy Fireplace.


 Patent Pending




Hole in the Wall details shown in black  
Fireplace version shown in orange  
Frame shaded in blue is not used on Fireplace version

 **Ventilation:**  
Not required

 **Effects:**  
Dark Log or Silver Birch Log

 **Flue Type:**  
Balanced Flue (suitable for wall thickness of 100mm to 500mm)

 **Controls:**  
Fully Sequential Remote Control as standard. Optional Thermostatic Control available

 **Gas Types:**  
Natural Gas or LPG

 **Interiors:**  
Choice of linings (see page 5)

Our efficiency and output figures are the results of tests to BS EN 613. Please see page 5 for further details.

# Synergy Perspective Steel Balanced Flue

The Synergy Perspective Steel Balanced Flue is a highly efficient and stylish fire that will enhance any home. Choose from Lacquered Brushed Stainless or four other gorgeous colours, applied using the latest techniques resulting in beautiful finishes that are both practical and durable.



Synergy Perspective Steel Balanced Flue with Satin Black Door, Plain Black lining and Dark Log fuel effect shown in Nu-Flame's Limestone Synergy Fireplace.

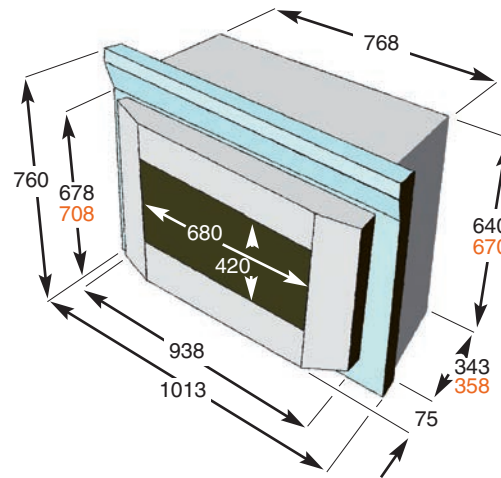


Synergy Perspective Steel Balance Flue with Lacquered Brushed Stainless Door, Brick lining and Dark Log fuel effect.

**Output on High:**  
4.8kW (Nat. Gas)  
4.67kW (LPG)

**Class 1 Efficiency:**  
83.2% Net (Nat. Gas)  
83.2% Net (LPG)

**CLASS 1  
EFFICIENCY**  
**83%**  
APPROVED &  
VERIFIED by  
**BSI**  
**GLASS  
FRONTED**



**Options:**  
Full choice of door colours.  
(see page 5)

Hole in the Wall details  
shown in black  
Fireplace version  
shown in orange  
Frame shaded in blue is not  
used on Fireplace version

All dimensions are in mm and are approximate. Dimensions are for general information only. For full details for builders openings or fireplace construction purposes etc please contact your stockist.

## Technical Information

### THE SYNERGY PERSPECTIVE BALANCED FLUE

Model	SPBFN	SPBFL
Gas Types	Nat. Gas	LPG
Control Options	Remote or Thermostatic Remote	
Ventilation required	No	No
Flue Type	← Balanced Flue →	
Fuel Bed Options	← Dark Log or Silver Birch →	
Verified Efficiency Class	Class 1 Efficiency	
Efficiency Net	83.2%	83.2%
Max Input Net	5.77kW	5.61kW
Min Input Net	2.52kW	2.58kW
Max Output	4.8kW	4.67kW
Min Output	1.7kW	1.7kW

## Synergy Steel Doors Finishes



Satin Black

Lacquered  
Brushed  
Stainless

Marfil Stone  
finish

Noir

Phosphorous

## Fuel Effects



Silver Birch

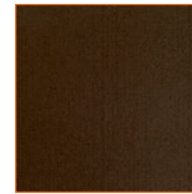


Dark Log

## Interior Linings



Black Reeded



Plain Black



Brick

## Fully Sequential Remote Control



As standard, the Synergy is supplied with our Fully Sequential Remote Control. Powered by 4 standard AA batteries. As well as on/off and variable flame height control, our fully sequential Thermatronic system turns the pilot on, and off when extinguishing the fire.

## Optional Thermostatic Control



As well as providing all the functionality of the Fully Sequential Remote Control the Thermostatic option allows you to pre-select temperature and/or timer programs on the handset. The system will then turn the Synergy up/down or on/off in order to provide the required heating at the chosen time to maintain a comfortable room temperature, which will be shown on the handset display. For your convenience a wall holder is supplied with the handset when this option is chosen.

The efficiency and output figures quoted in this brochure are the results of tests carried out under laboratory conditions, by BSI, using the methodology and equipment as laid down in BS EN 613. This enables customers to make a direct comparison between one manufacturer's independently verified figures and another. It also allows our figures to be used in the UK Government's Standard Assessment Procedure (SAP) for the energy rating of dwellings. When installed in any given property the overall performance of any fire could be affected by the individual attributes of the installation such as room insulation, ventilation and the characteristics of the flue length and terminal location etc.

In line with our policy of continual improvement, we reserve the right to modify specifications. We have taken every care in the preparation of the contents of this brochure, but we accept no liability for any loss or damage arising directly or indirectly from the use of this brochure.

We have made every effort to show the finishes as accurately as possible. Unfortunately, we cannot fully reflect the depth and quality of the finishes in print, nor can we guarantee exact colour matches. Your Nu-Flame stockist can show you swatches of the actual finishes used.



# Nu-Flame Ltd

Unit 4, Kimpton Trade &  
Business Centre,  
Minden Road, Sutton,  
Surrey, SM3 9PF

**T : 020 8254 6802**

**F : 020 8641 9992**

Email : [sales@nu-flame.co.uk](mailto:sales@nu-flame.co.uk)

Web : [www.nu-flame.co.uk](http://www.nu-flame.co.uk)